

2 Phase Hybrid Stepping Motor

28D SERIES

□ 28mm



1.8°

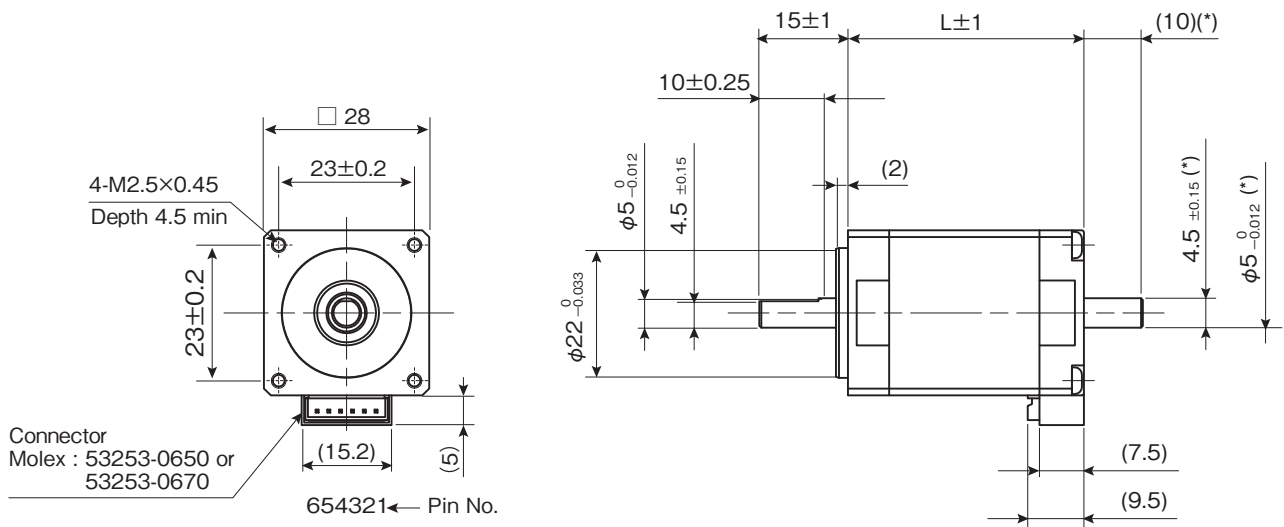
Unipolar

SPECIFICATIONS

MODEL	STEP ANGLE	VOLTAGE	CURRENT	RESISTANCE	INDUCTANCE	HOLDING TORQUE	ROTOR INERTIA	NUMBER OF PINS	MASS	LENGTH
	Deg.	V	A/φ	Ω/φ	mH/φ	mN·m	g·cm ²	Pin	kg	mm
SST28D110X	1.8	2.85	0.95	2.90	1.25	68.6	8	6	0.110	32
SST28D210X	1.8	3.23	0.95	3.40	1.20	94.1	12	6	0.145	40
SST28D310X	1.8	4.28	0.95	4.50	1.70	135	17	6	0.195	51.5

↑ Last Digit (for Unipolar) 0:Single Shaft 1:Double Shaft

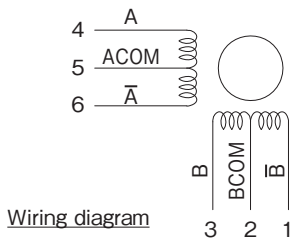
DIMENSIONS [EXAMPLE]



* Dimensions apply to double shaft models.

Mating connector

Housing	Molex : 51065-0600
Contact	Molex : 50212-8000 or 50212-8100

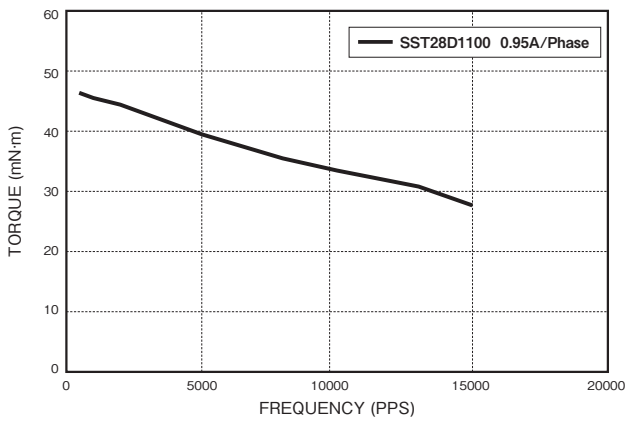


TORQUE RANGE

STEP ANGLE	SIZE		WINDINGS	MODEL	TORQUE (mN·m) *FREQUENCY at 1,000pps																					
					0	50	100	200	300	400	600	800	1000	1500	2000											
1.8°	28mm	NEMA11	Unipolar	28D1	~5	~10	~15	~20	~25	~30	~35	~40	~45	~50	~55	~60	~65	~70	~75	~80	~85	~90	~95	~100		
				28D2	~10	~20	~30	~40	~50	~60	~70	~80	~90	~100	~110	~120	~130	~140	~150	~160	~170	~180	~190	~200	~210	~220
				28D3	~15	~30	~45	~60	~75	~90	~105	~120	~135	~150	~165	~180	~195	~210	~225	~240	~255	~270	~285	~300	~315	~330

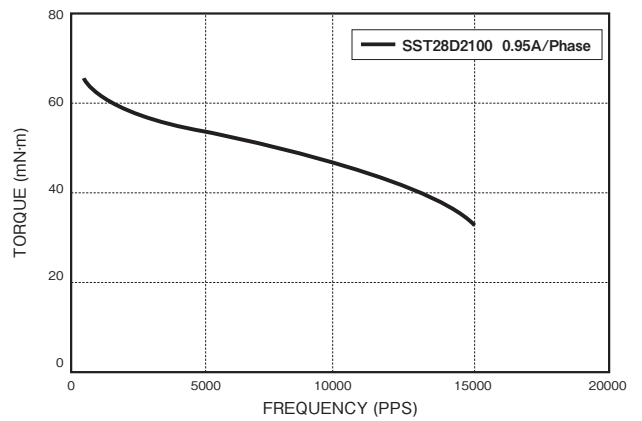
PULL OUT TORQUE CURVE

SST28D1XXX



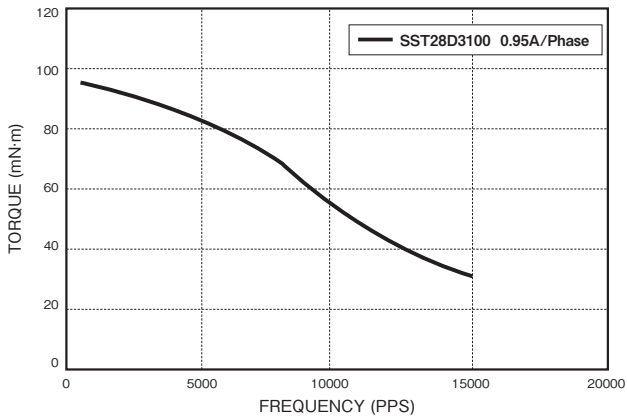
DRIVER : Chopper
 SUPPLY VOLTAGE : DC24V
 EXCITING MODE = 2 Phase

SST28D2XXX



DRIVER : Chopper
 SUPPLY VOLTAGE : DC24V
 EXCITING MODE = 2 Phase

SST28D3XXX



DRIVER : Chopper
 SUPPLY VOLTAGE : DC24V
 EXCITING MODE = 2 Phase

i Available shaft, lead wires, winding, encoder and other customization. Feel free to contact sales office or sales agent.

! Operate the motor keeping the motor surface temperature at 100 deg. C or lower.

Stepping Motor
BLDC Motor
Motor Driver
Other Motor

2 Phase Hybrid Stepping Motor

28D SERIES

□ 28mm



1.8°

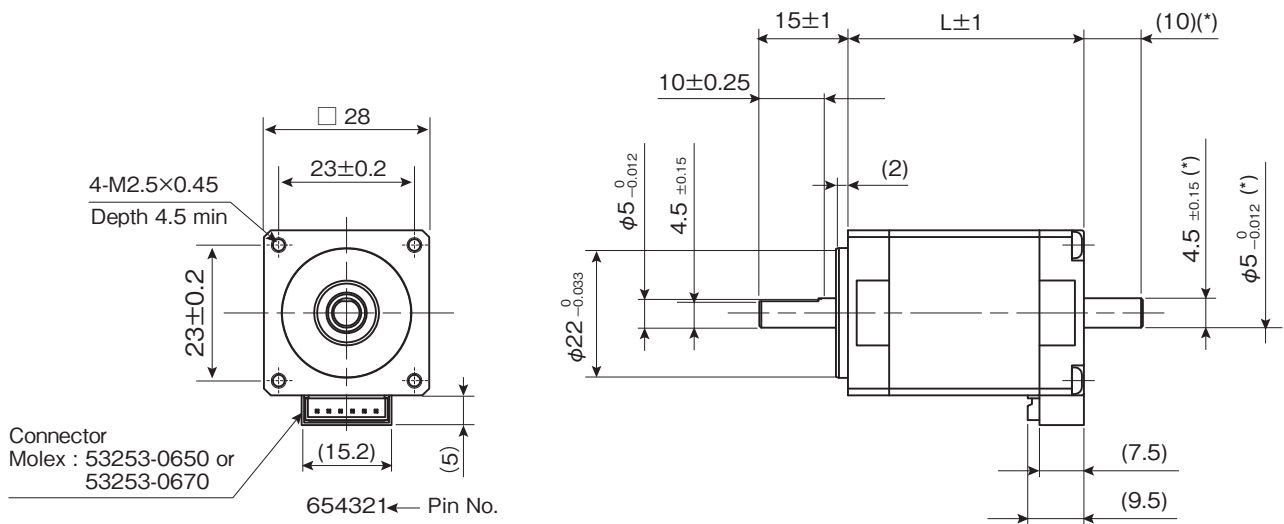
Bipolar

SPECIFICATIONS

MODEL	STEP ANGLE	VOLTAGE	CURRENT	RESISTANCE	INDUCTANCE	HOLDING TORQUE	ROTOR INERTIA	NUMBER OF PINS	MASS	LENGTH
	Deg.	V	A/φ	Ω/φ	mH/φ	mN·m	g·cm ²	Pin	kg	mm
SST28D110X	1.8	1.95	1.3	1.45	1.25	92.2	8	4	0.110	32
SST28D210X	1.8	2.21	1.3	1.70	1.20	123	12	4	0.145	40
SST28D310X	1.8	2.93	1.3	2.25	1.70	183	17	4	0.195	51.5

↑ Last Digit (for Bipolar) 5:Single Shaft 6:Double Shaft

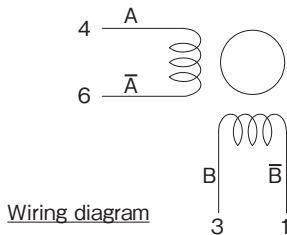
DIMENSIONS [EXAMPLE]



* Dimensions apply to double shaft models.

Mating connector

Housing	Molex : 51065-0600
Contact	Molex : 50212-8000 or 50212-8100

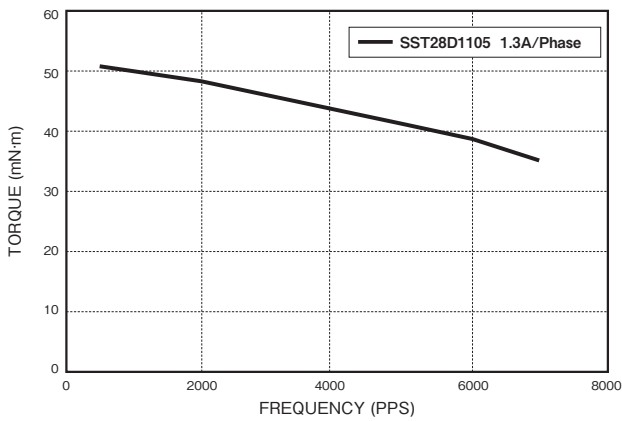


TORQUE RANGE

STEP ANGLE	SIZE		WINDINGS	MODEL	TORQUE (mN·m) *FREQUENCY at 1,000pps												
					0	50	100	200	300	400	600	800	1000	1500	2000		
1.8°	28mm	NEMA11	Bipolar	28D1	[Torque range bars for 28D1]												
				28D2	[Torque range bars for 28D2]												
				28D3	[Torque range bars for 28D3]												

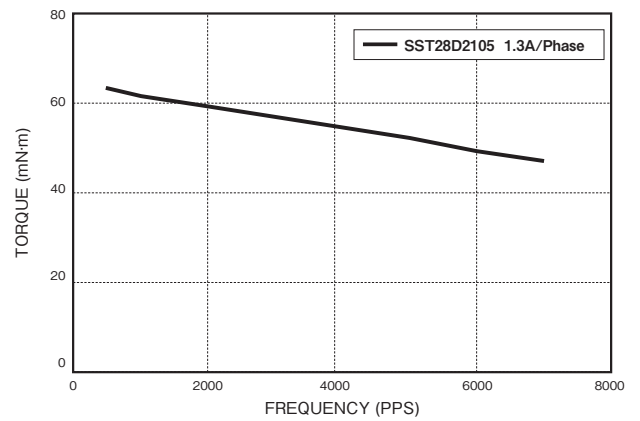
PULL OUT TORQUE CURVE

SST28D1XXX



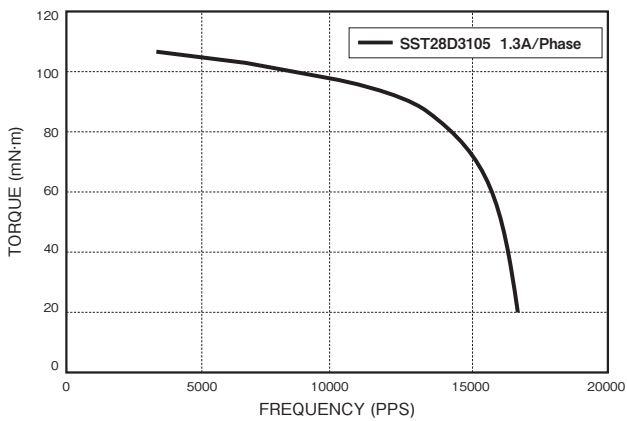
DRIVER : Chopper
 SUPPLY VOLTAGE : DC24V
 EXCITING MODE = 2 Phase

SST28D2XXX



DRIVER : Chopper
 SUPPLY VOLTAGE : DC24V
 EXCITING MODE = 2 Phase

SST28D3XXX



DRIVER : Chopper
 SUPPLY VOLTAGE : DC24V
 EXCITING MODE = 2 Phase

i Available shaft, lead wires, winding, encoder and other customization. Feel free to contact sales office or sales agent.

! Operate the motor keeping the motor surface temperature at 100 deg. C or lower.