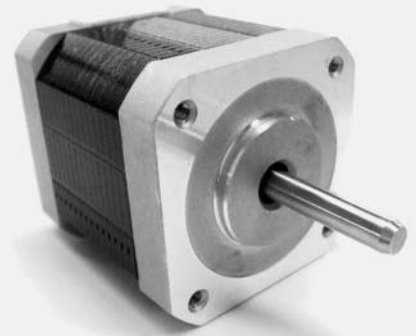


# 2 Phase Hybrid Stepping Motor

## 42C SERIES

□42mm



0.9°

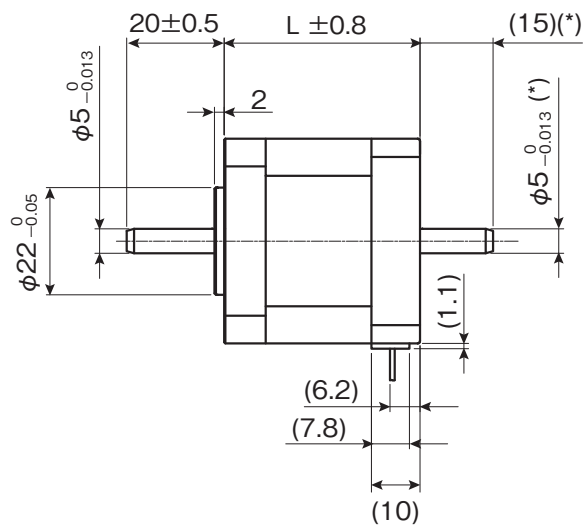
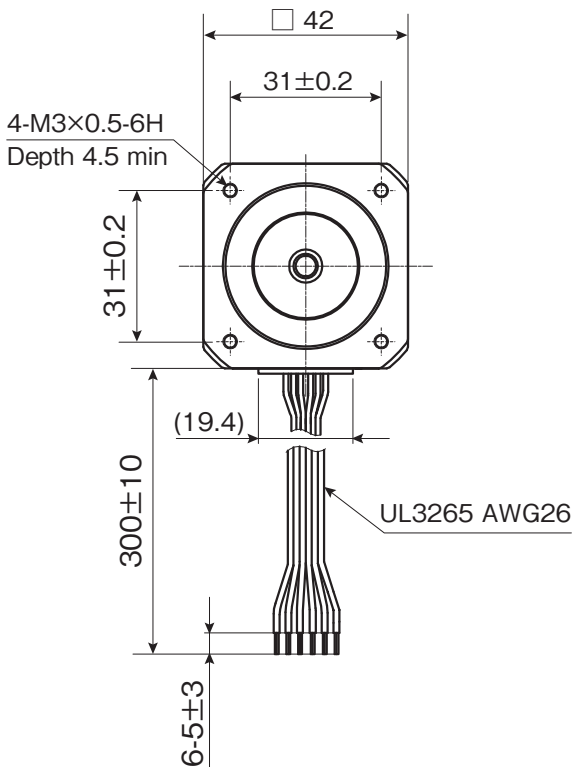
Unipolar

### SPECIFICATIONS

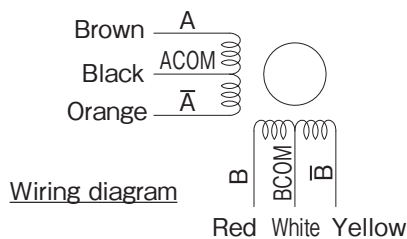
MODEL	STEP ANGLE	VOLTAGE	CURRENT	RESISTANCE	INDUCTANCE	HOLDING TORQUE	ROTOR INERTIA	NUMBER OF LEADS	MASS	LENGTH
	Deg.	V	A/φ	Ω/φ	mH/φ	mN·m	g·cm <sup>2</sup>	Lead	kg	mm
SST42C103X	0.9	24.0	0.3	37.4	34.8	177	33	6	0.23	34
SST42C106X	0.9	24.0	0.6	10.5	8.6	184	33	6	0.23	34
SST42C110X	0.9	24.0	1.0	4.4	3.9	196	33	6	0.23	34
SST42C204X	0.9	24.0	0.4	30.0	34.5	312	56	6	0.29	40
SST42C208X	0.9	24.0	0.8	7.7	9.2	324	56	6	0.29	40
SST42C212X	0.9	24.0	1.2	3.4	4.5	324	56	6	0.29	40
SST42C304X	0.9	24.0	0.4	31.5	32.0	334	72	6	0.36	47.5
SST42C308X	0.9	24.0	0.8	8.0	9.7	358	72	6	0.36	47.5
SST42C312X	0.9	24.0	1.2	3.4	4.0	346	72	6	0.36	47.5

↑ Last Digit (for Unipolar) 0:Single Shaft 1:Double Shaft

### DIMENSIONS [EXAMPLE]



\* Dimensions apply to double shaft models.

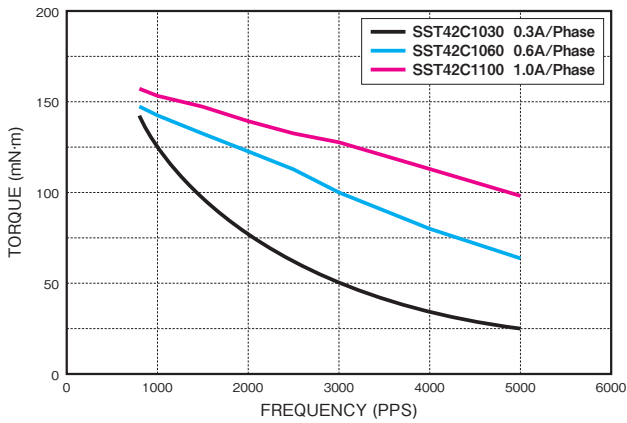


## TORQUE RANGE

STEP ANGLE	SIZE		WINDINGS	MODEL	TORQUE (mN·m) *FREQUENCY at 1,000pps															
					0	50	100	200	300	400	600	800	1000	1500	2000					
0.9°	42mm	NEMA17	Unipolar	42C1	[Torque range bar from ~100 to ~200 mN·m]															
				42C2	[Torque range bar from ~150 to ~300 mN·m]															
				42C3	[Torque range bar from ~200 to ~400 mN·m]															

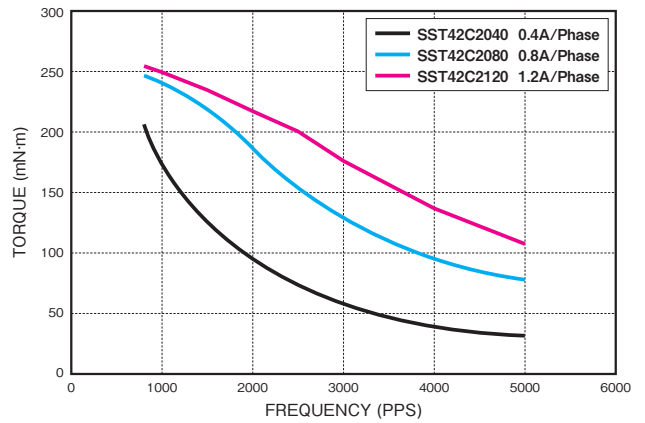
## PULL OUT TORQUE CURVE

SST42C1XXX



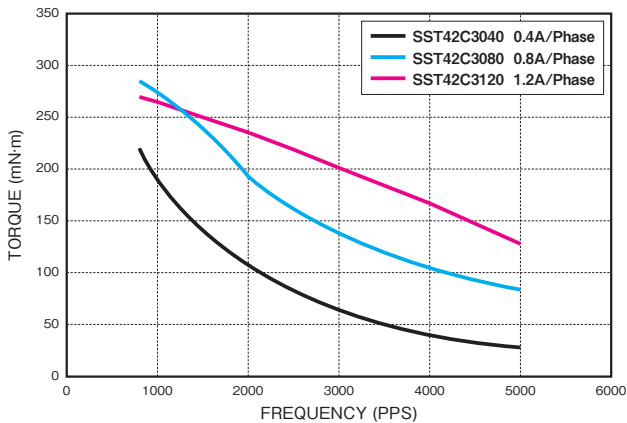
DRIVER : Chopper  
 SUPPLY VOLTAGE : DC24V  
 EXCITING MODE = 2 Phase  
 MOUNTING : With rubber damper

SST42C2XXX



DRIVER : Chopper  
 SUPPLY VOLTAGE : DC24V  
 EXCITING MODE = 2 Phase  
 MOUNTING : With rubber damper

SST42C3XXX



DRIVER : Chopper  
 SUPPLY VOLTAGE : DC24V  
 EXCITING MODE = 2 Phase  
 MOUNTING : With rubber damper

**i** Available shaft, lead wires, winding, encoder and other customization. Feel free to contact sales office or sales agent.

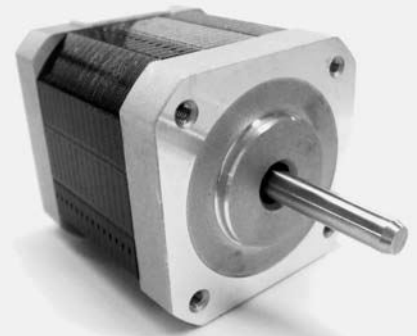
**!** Operate the motor keeping the motor surface temperature at 100 deg. C or lower.

Stepping Motor  
BLDC Motor  
Motor Driver  
Other Motor

# 2 Phase Hybrid Stepping Motor

## 42C SERIES

□42mm



0.9°

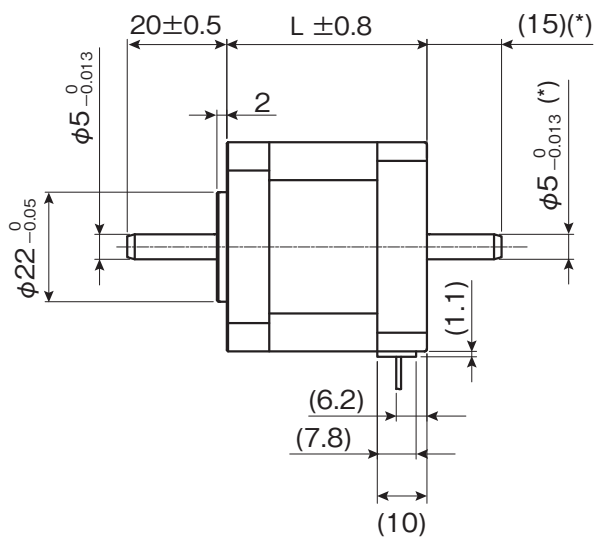
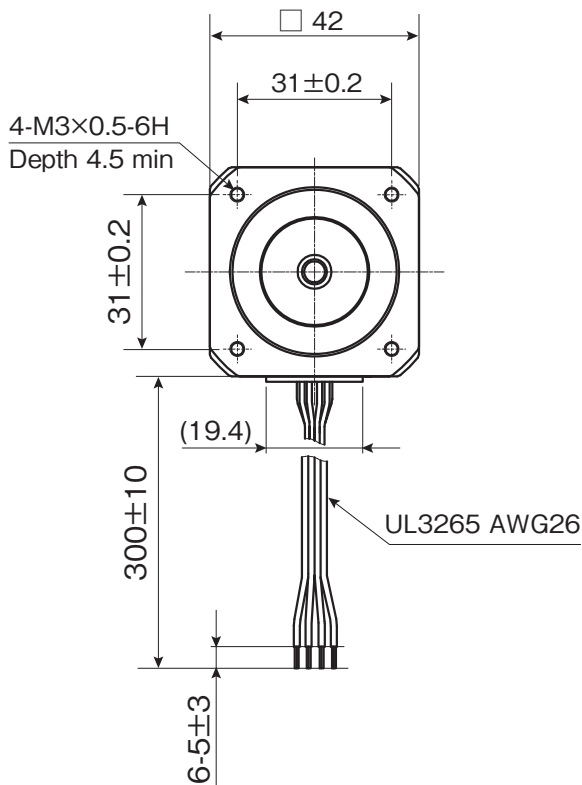
Bipolar

### SPECIFICATIONS

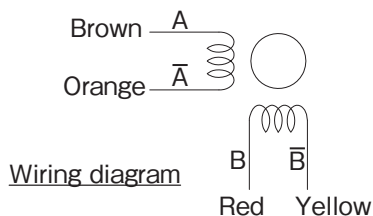
MODEL	STEP ANGLE	VOLTAGE	CURRENT	RESISTANCE	INDUCTANCE	HOLDING TORQUE	ROTOR INERTIA	NUMBER OF LEADS	MASS	LENGTH
	Deg.									
SST42C103X	0.9	24.0	0.3	18.7	34.8	177	33	4	0.23	34
SST42C106X	0.9	24.0	0.6	5.4	8.6	184	33	4	0.23	34
SST42C110X	0.9	24.0	1.0	2.2	3.9	196	33	4	0.23	34
SST42C204X	0.9	24.0	0.4	15.0	34.5	312	56	4	0.29	40
SST42C208X	0.9	24.0	0.8	3.8	9.2	324	56	4	0.29	40
SST42C212X	0.9	24.0	1.2	1.7	4.5	324	56	4	0.29	40
SST42C304X	0.9	24.0	0.4	15.7	32.0	334	72	4	0.36	47.5
SST42C308X	0.9	24.0	0.8	4.0	9.7	358	72	4	0.36	47.5
SST42C312X	0.9	24.0	1.2	1.7	4.0	346	72	4	0.36	47.5

↑ Last Digit (for Bipolar) 5:Single Shaft 6:Double Shaft

### DIMENSIONS [EXAMPLE]



\* Dimensions apply to double shaft models.

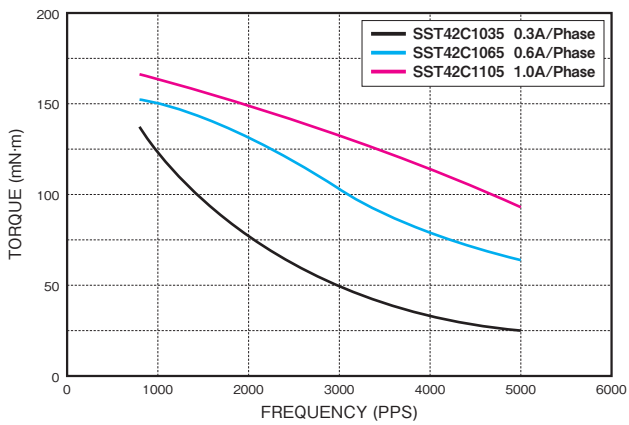


## TORQUE RANGE

STEP ANGLE	SIZE		WINDINGS	MODEL	TORQUE (mN·m) *FREQUENCY at 1,000pps															
					0	50	100	200	300	400	600	800	1000	1500	2000					
0.9°	42mm	NEMA17	Bipolar	42C1	[Torque range bar from ~100 to ~200 mN·m]															
				42C2	[Torque range bar from ~150 to ~300 mN·m]															
				42C3	[Torque range bar from ~200 to ~400 mN·m]															

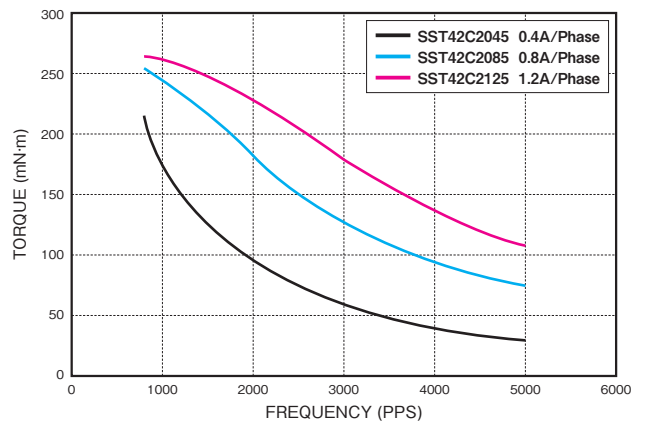
## PULL OUT TORQUE CURVE

SST42C1XXX



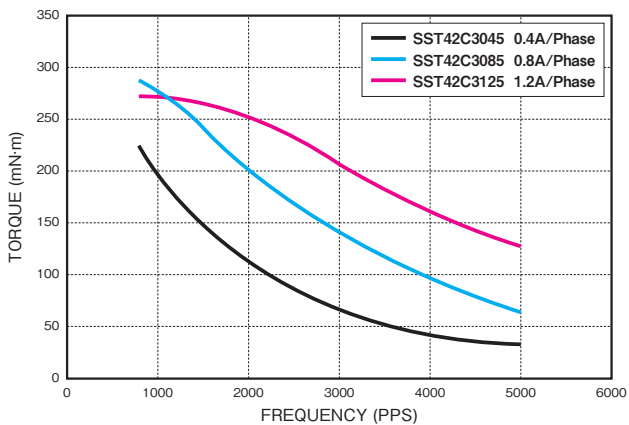
DRIVER : Chopper  
 SUPPLY VOLTAGE : DC24V  
 EXCITING MODE = 2 Phase  
 MOUNTING : With rubber damper

SST42C2XXX



DRIVER : Chopper  
 SUPPLY VOLTAGE : DC24V  
 EXCITING MODE = 2 Phase  
 MOUNTING : With rubber damper

SST42C3XXX



DRIVER : Chopper  
 SUPPLY VOLTAGE : DC24V  
 EXCITING MODE = 2 Phase  
 MOUNTING : With rubber damper

**i** Available shaft, lead wires, winding, encoder and other customization. Feel free to contact sales office or sales agent.

**!** Operate the motor keeping the motor surface temperature at 100 deg. C or lower.

Stepping Motor  
BLDC Motor  
Motor Driver  
Other Motor