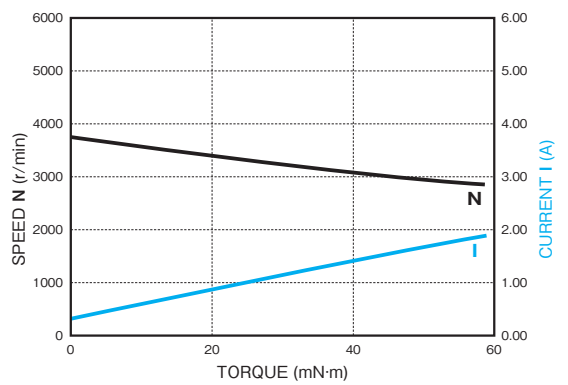
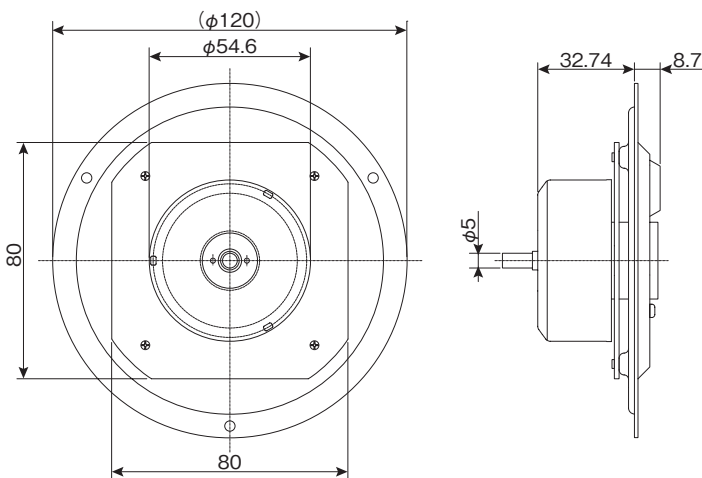


# Outer Rotor Brushless DC Series



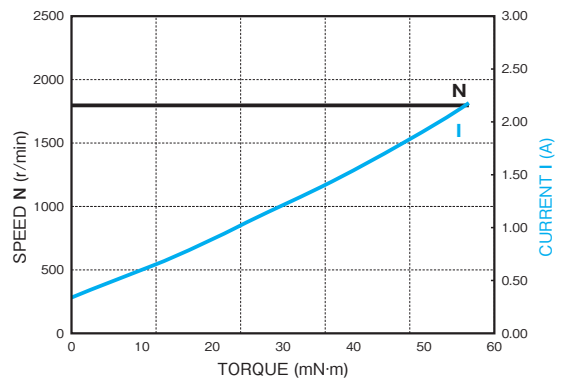
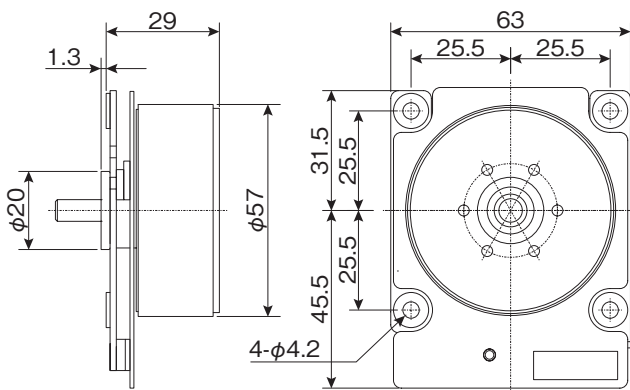
## DR-55310

RATED VOLTAGE	RATED TORQUE	RATED SPEED	RATED CURRENT
DC 14 V	40 mN·m	3000 r/min	1.4 A



## DR-553X

RATED VOLTAGE	MAX TORQUE	RATED SPEED	MAX CURRENT
DC 24 V	160 mN·m	1800 r/min	2.1 A

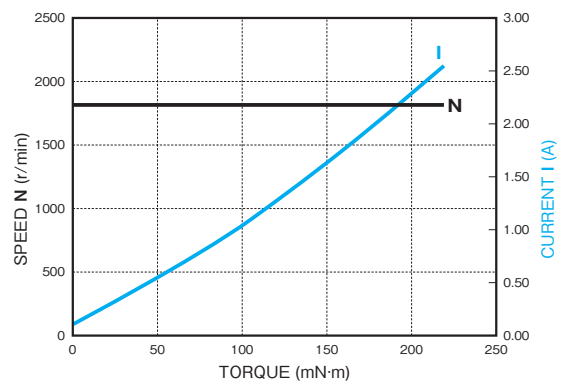
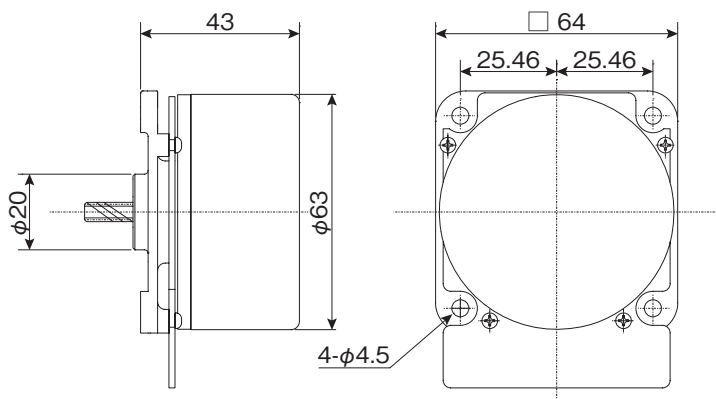


## TORQUE RANGE

SERIES	MAJOR DIAMETER	MODEL	RATED SPEED (r/min)	TORQUE (mN·m)						
				0	50	100	150	200	250	300
Outer rotor	φ55mm	DR-55310	3000	[Torque range bar from 0 to ~40 mN·m]						
Outer rotor	φ57mm	DR-553X	1800	[Torque range bar from 0 to ~150 mN·m]						
Outer rotor	φ63mm	DR-6236	1800	[Torque range bar from 0 to ~150 mN·m]						
Outer rotor	φ63mm	DR-63310	1800	[Torque range bar from 0 to ~110 mN·m]						

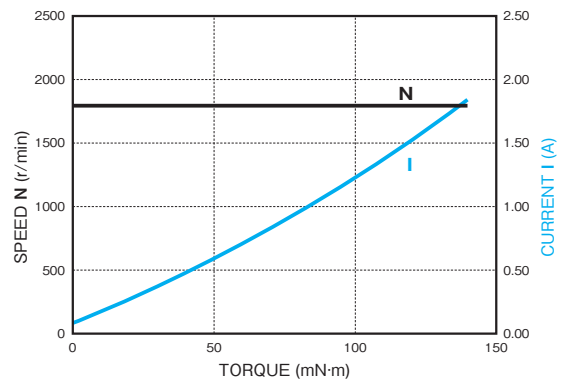
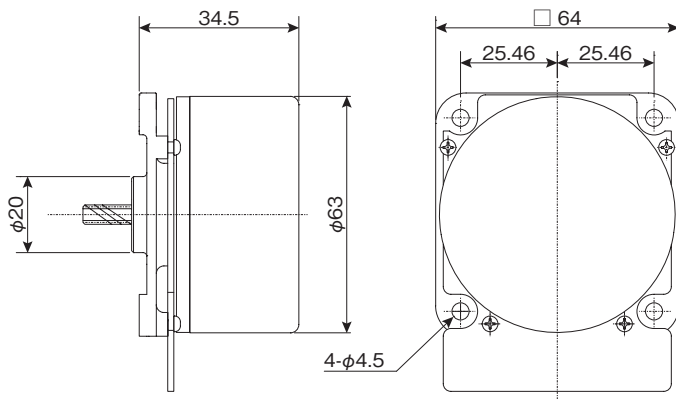
### ■ DR-6236

RATED VOLTAGE	RATED TORQUE	RATED SPEED	RATED CURRENT
DC 24 V	160 mN·m	1800 r/min	2.1 A



### ■ DR-63310

RATED VOLTAGE	RATED TORQUE	RATED SPEED	RATED CURRENT
DC 24 V	110 mN·m	1800 r/min	1.7 A



Stepping Motor

BLDC Motor

Motor Driver

Other Motor



Specifications are reference only. Feel free to contact sales office or sales agent for detailed information.