

2 Phase Hybrid Stepping Motor

36C SERIES

φ 36mm



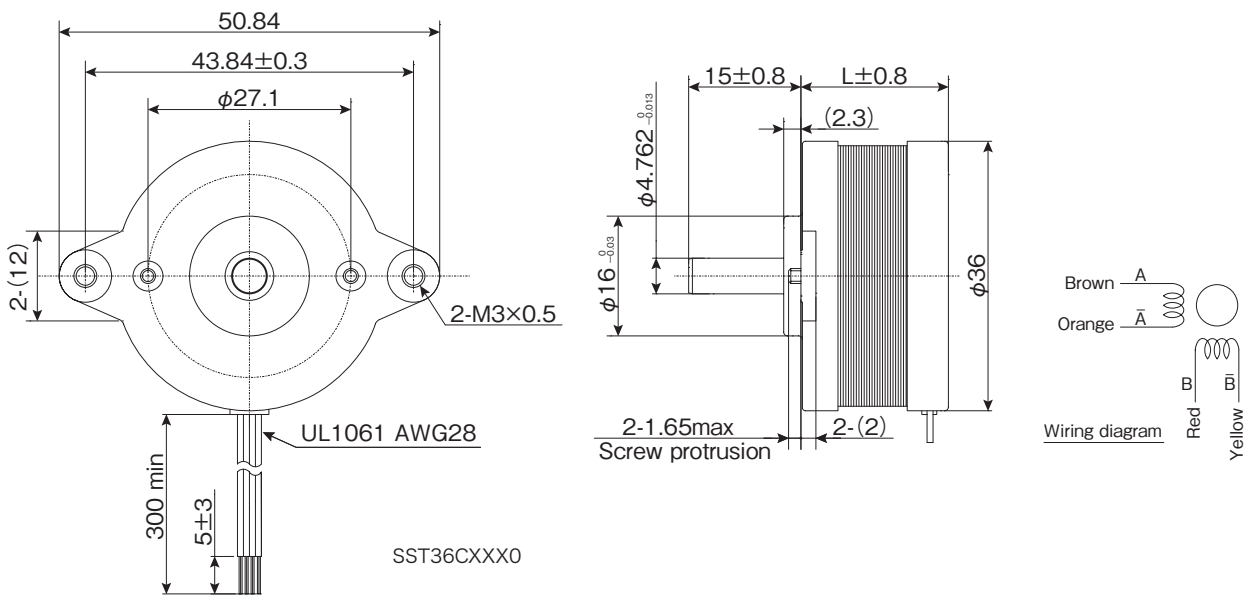
0.9°

Bipolar

SPECIFICATIONS

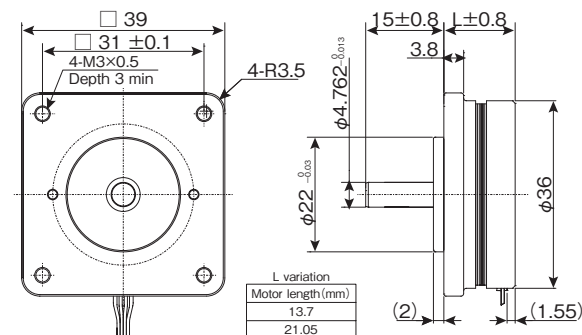
MODEL	STEP ANGLE	VOLTAGE	CURRENT	RESISTANCE	INDUCTANCE	HOLDING TORQUE	ROTOR INERTIA	NUMBER OF LEADS	MASS	LENGTH
	Deg.									
SST36C0030	0.9	5.0	0.3	16.80	8.50	41.2	7.3	4	50	12.35
SST36C0050	0.9	3.2	0.5	6.40	3.16	41.2	7.3	4	50	12.35
SST36C0060	0.9	2.6	0.6	4.30	2.23	41.2	7.3	4	50	12.35
SST36C0080	0.9	2.0	0.8	2.53	1.24	41.2	7.3	4	50	12.35
SST36C1030GA	0.9	8.2	0.3	27.20	20.70	100	19.6	4	90	19.7
SST36C1050GA	0.9	5.2	0.5	11.50	9.00	100	19.6	4	90	19.7
SST36C1060GA	0.9	4.1	0.6	6.90	5.35	100	19.6	4	90	19.7
SST36C1080GA	0.9	3.3	0.8	4.10	3.16	100	19.6	4	90	19.7

DIMENSIONS [EXAMPLE]



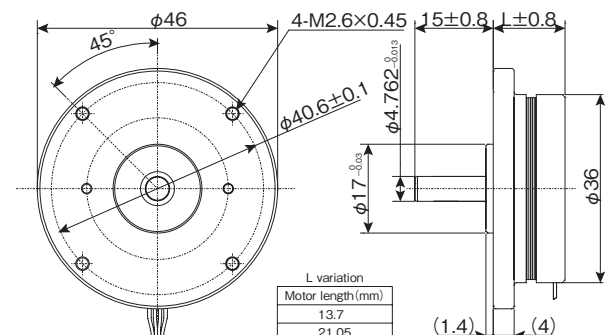
MOUNTING VARIATION

Square Type



SST36CXXX2

Round Type



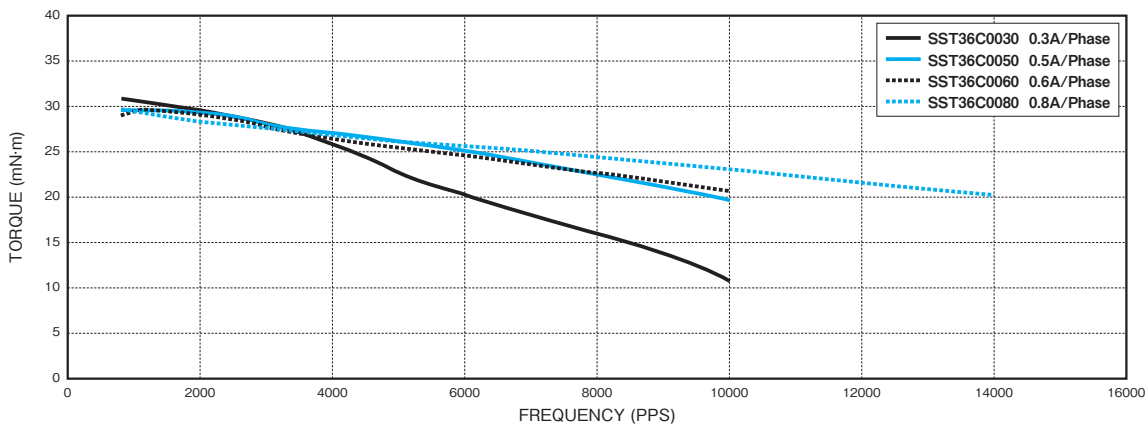
SST36CXXX3

TORQUE RANGE

STEP ANGLE	SIZE		WINDINGS	MODEL	TORQUE (mN·m) *FREQUENCY at 1,000pps															
					0	50	100	200	300	400	600	800	1000	1500	2000					
0.9°	φ36mm	NEMA16	Bipolar	36C0	[Torque values for model 36C0]															
				36C1	[Torque values for model 36C1]															

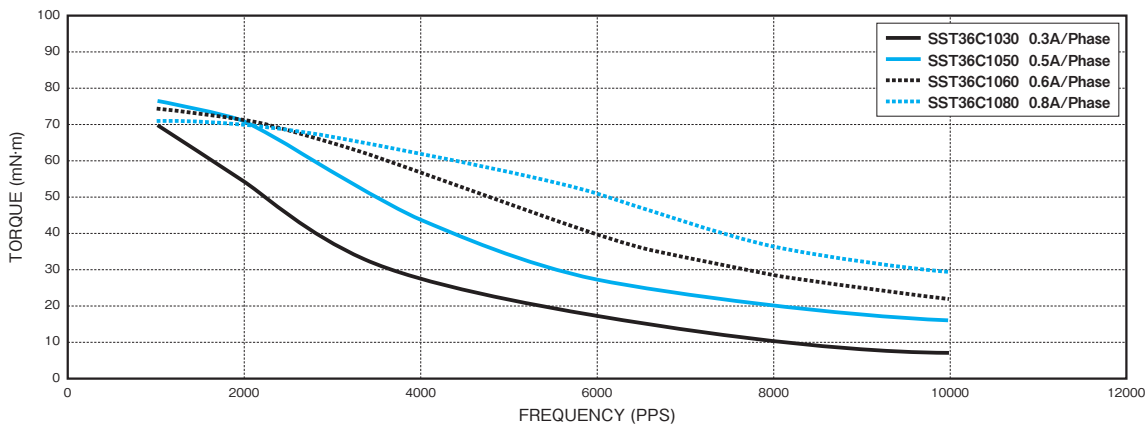
PULL OUT TORQUE CURVE

SST36C0XXX



DRIVER : Chopper
 SUPPLY VOLTAGE : DC24V
 EXCITING MODE = 2 Phase
 MOUNTING : With rubber damper

SST36C1XXX



DRIVER : Chopper
 SUPPLY VOLTAGE : DC24V
 EXCITING MODE = 2 Phase
 MOUNTING : With rubber damper

i Available shaft, lead wires, winding, encoder and other customization. Feel free to contact sales office or sales agent.

! Operate the motor keeping the motor surface temperature at 100 deg. C or lower.

Stepping Motor
BLDC Motor
Motor Driver
Other Motor