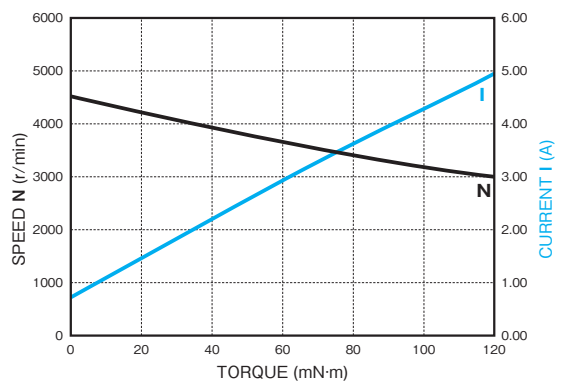
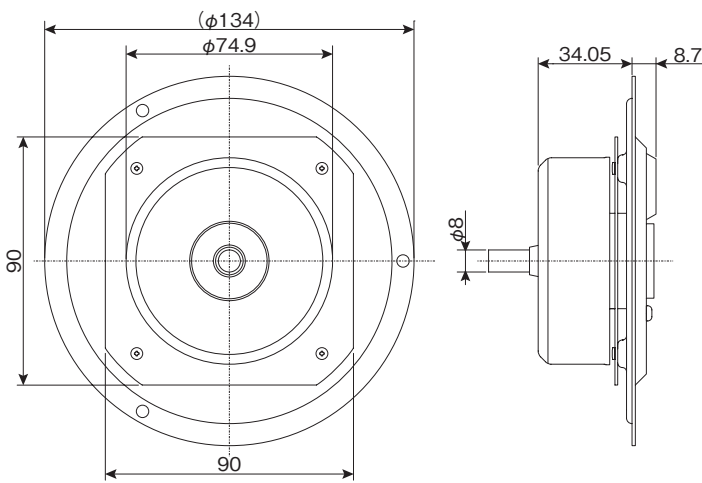


Outer Rotor Brushless DC Series



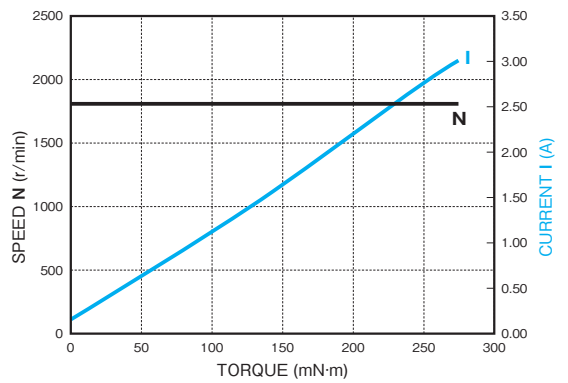
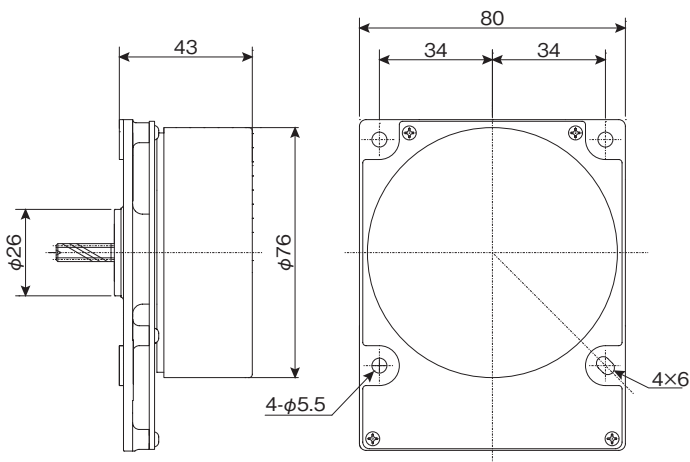
■ DR-7538

RATED VOLTAGE	RATED TORQUE	RATED SPEED	RATED CURRENT
DC 12 V	100 mN·m	3100 r/min	4.3 A



■ DR-7638

RATED VOLTAGE	RATED TORQUE	RATED SPEED	RATED CURRENT
DC 24 V	250 mN·m	1800 r/min	3.4 A

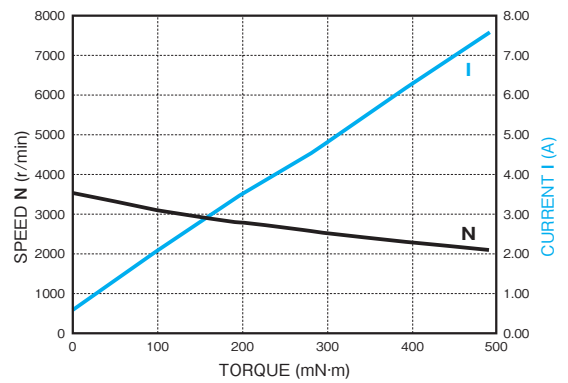
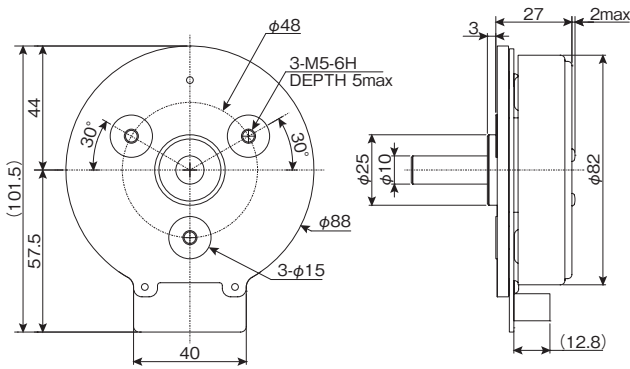


TORQUE RANGE

SERIES	MAJOR DIAMETER	MODEL	RATED SPEED (r/min)	TORQUE (mN·m)							
				0	50	100	200	300	400	600	800
Outer rotor	φ75mm	DR-7538	3100	*							
Outer rotor	φ76mm	DR-7638	1800	*							
Outer rotor	φ82mm	DR-82316	2000	*							
Outer rotor	φ87mm	DR-8738	1800	*							
Outer rotor	φ82mm	DR-8238	1400	*							

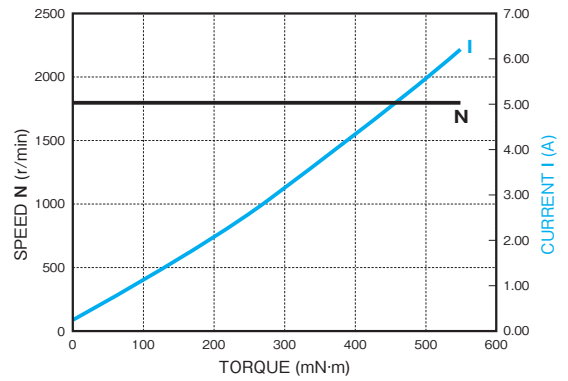
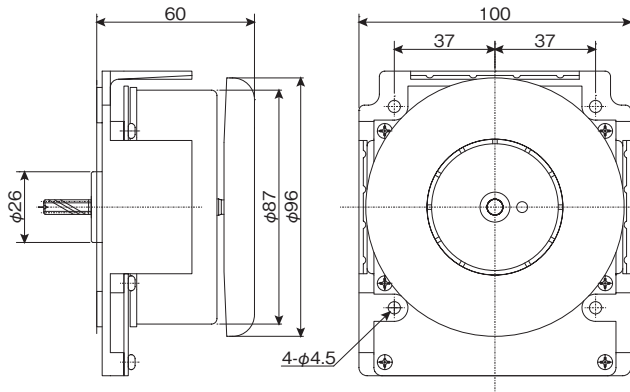
DR-82316

RATED VOLTAGE	RATED TORQUE	RATED SPEED	RATED CURRENT
DC 24 V	230 mN·m	2700 r/min	3.9 A



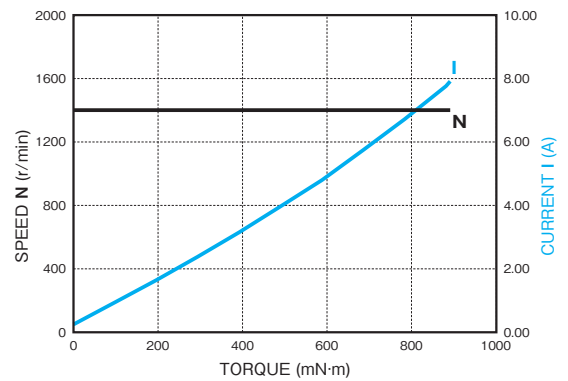
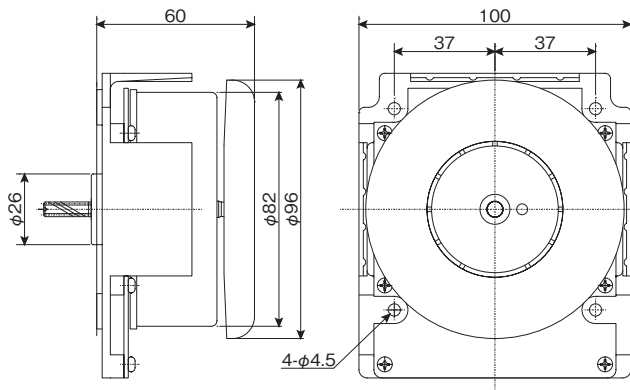
DR-8738

RATED VOLTAGE	RATED TORQUE	RATED SPEED	RATED CURRENT
DC 24 V	440 mN·m	1800 r/min	5.8 A



DR-8238

RATED VOLTAGE	RATED TORQUE	RATED SPEED	RATED CURRENT
DC 24 V	640 mN·m	1400 r/min	6.5 A max



i Specifications are reference only. Feel free to contact sales office or sales agent for detailed information.

Stepping Motor

BLDC Motor

Motor Driver

Other Motor