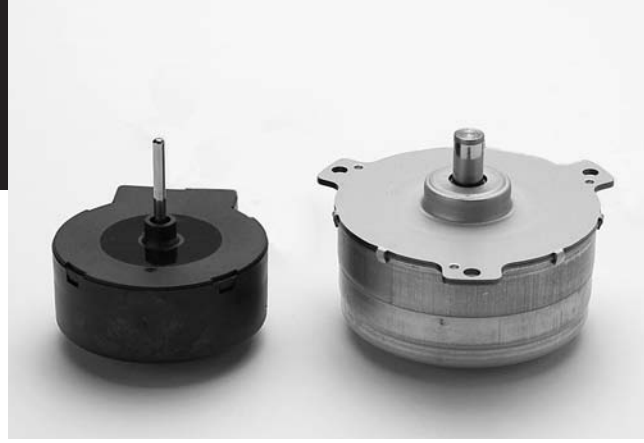
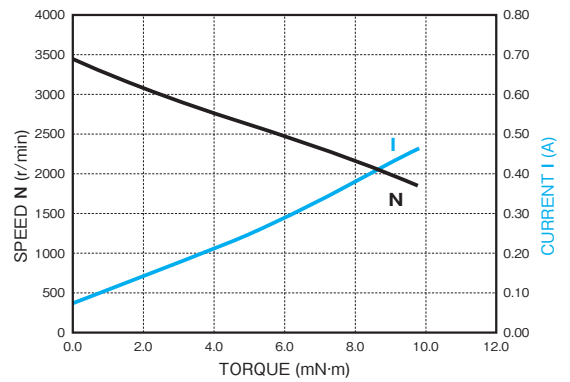
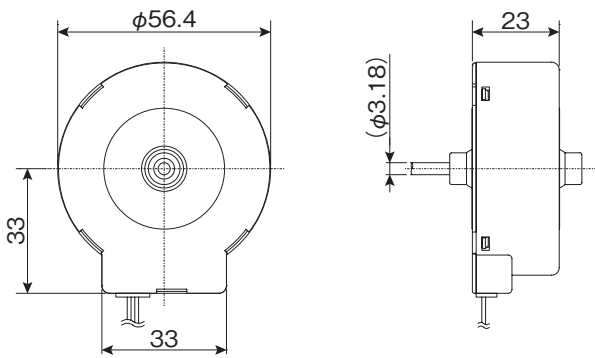


# Inner Rotor Brushless DC Series



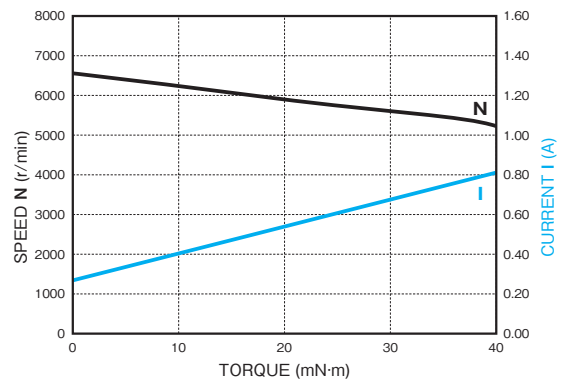
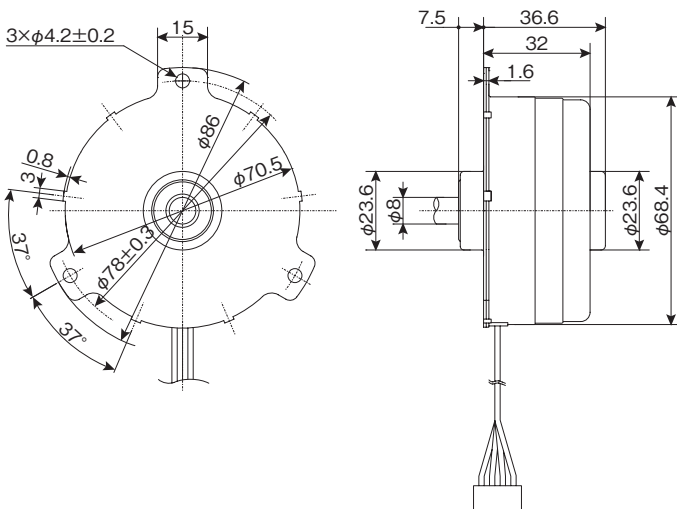
## ■ DR-5236

RATED VOLTAGE	RATED TORQUE	RATED SPEED	RATED CURRENT
DC 12 V	5 mN·m	2200 r/min	0.2 A



## ■ DR-6638

RATED VOLTAGE	MAX TORQUE	RATED SPEED	MAX CURRENT
DC 24~48 V	45 mN·m	4950 r/min	1.2 A

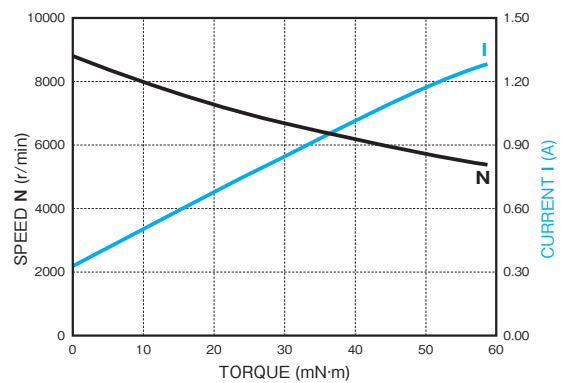
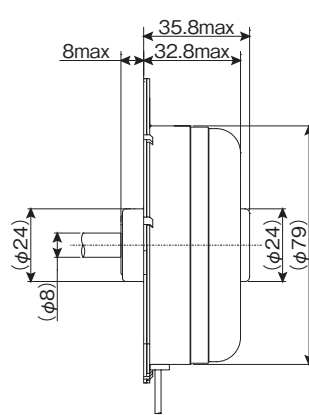
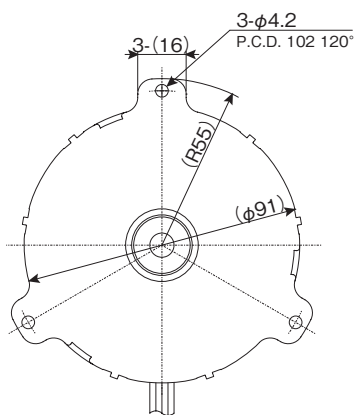


# TORQUE RANGE

SERIES	MAJOR DIAMETER	MODEL	RATED SPEED(*)	TORQUE (mN·m)																				
				0	50	100	200	300	400	600	800	1000	1500											
Inner rotor	φ56.4mm	DR-5236	2200	0	50	100	200	300	400	600	800	1000	1500											
Inner rotor	φ68mm	DR-6638	4950	0	50	100	200	300	400	600	800	1000	1500											
Inner rotor	φ79mm	DR-738	6000	0	50	100	200	300	400	600	800	1000	1500											
Inner rotor	φ79mm	DR-7738	6000	0	50	100	200	300	400	600	800	1000	1500											

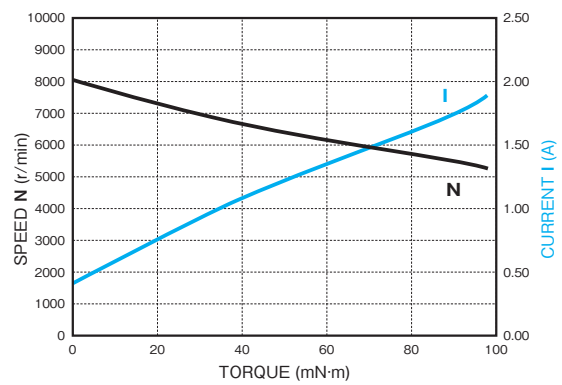
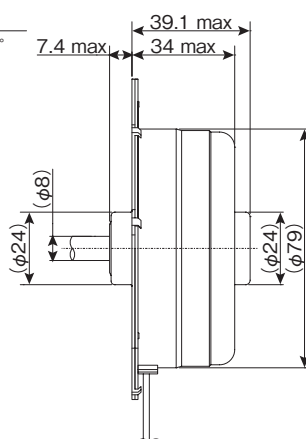
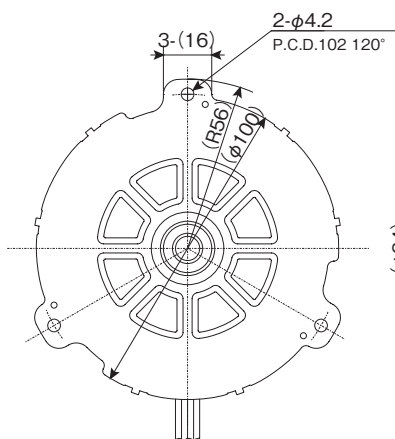
## DR-738

RATED VOLTAGE	MAX TORQUE	RATED SPEED	RATED CURRENT
DC 24 (48) V	45 mN·m	6000 r/min	1.2 A



## DR-7738

RATED VOLTAGE	RATED TORQUE	RATED SPEED	RATED CURRENT
DC 24~48 V	65 mN·m	6000 r/min	1.4 A



**i** Specifications are reference only. Feel free to contact sales office or sales agent for detailed information.

Stepping Motor

BLDC Motor

Motor Driver

Other Motor