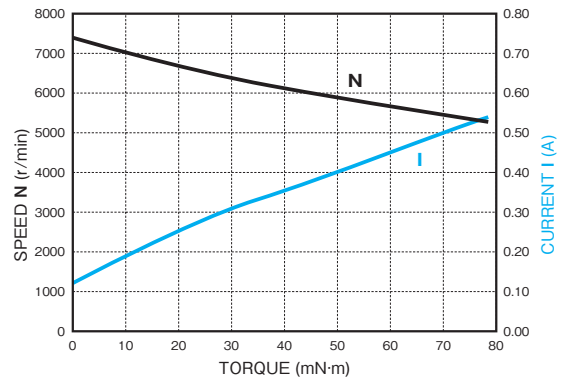
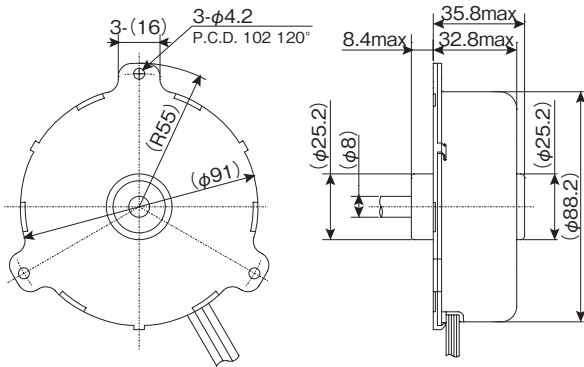


# Inner Rotor Brushless DC Series



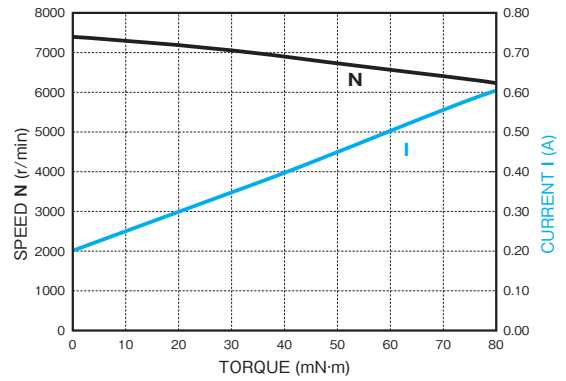
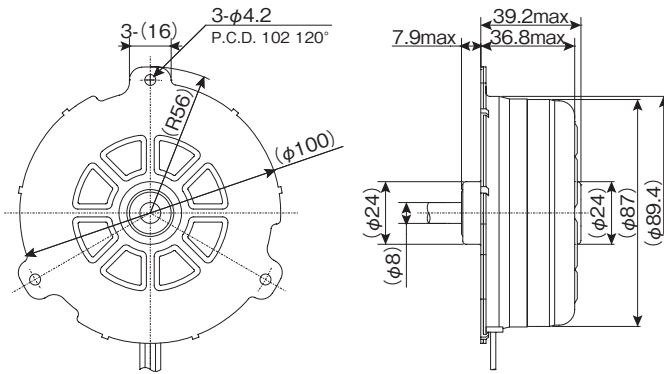
## DR-8538-6type

RATED VOLTAGE	RATED TORQUE	RATED SPEED	RATED CURRENT
DC 140(280) V	75 mN·m	6500 r/min	0.6(0.3) A



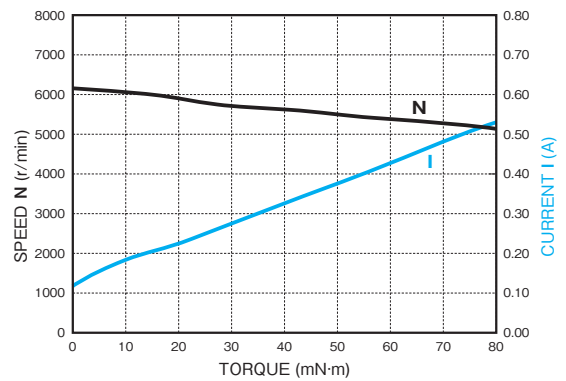
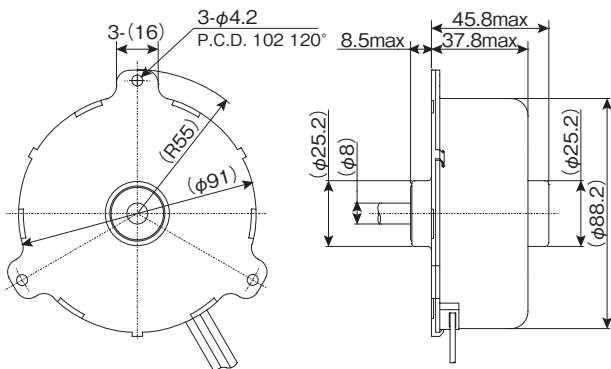
## DR-8538-8type

RATED VOLTAGE	RATED TORQUE	RATED SPEED	RATED CURRENT
DC 140(280) V	90 mN·m	6500 r/min	0.6(0.3) A



## DR-8538-12type

RATED VOLTAGE	RATED TORQUE	RATED SPEED	RATED CURRENT
DC 140(280) V	115 mN·m	5330 r/min	0.7(0.4) A

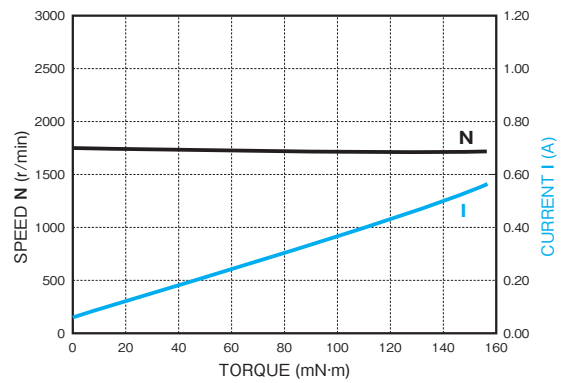
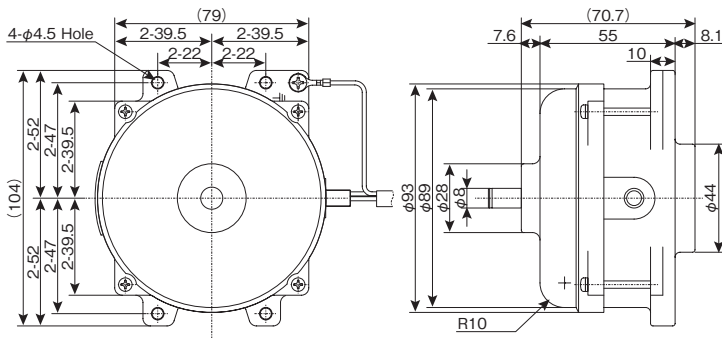


## TORQUE RANGE

SERIES	MAJOR DIAMETER	MODEL	RATED SPEED(*)	TORQUE (mN·m)													
				0	50	100	200	300	400	600	800	1000	1500				
Inner rotor	φ88.2mm	DR-8538-6	6500		*												
Inner rotor	φ88.2mm	DR-8538-8	6500		*												
Inner rotor	φ88.2mm	DR-8538-12	5330		*	*	*	*	*	*	*	*	*	*	*	*	*
Inner rotor	φ88.2mm	DRA-8538	6000		*												
Inner rotor	φ93mm	DR-8838	*1:1520 /*2:1800			*	*	*	*	*	*	*	*	*	*	*	*
Inner rotor	φ97.4mm	DR-9538	850						*	*	*	*	*	*	*	*	*

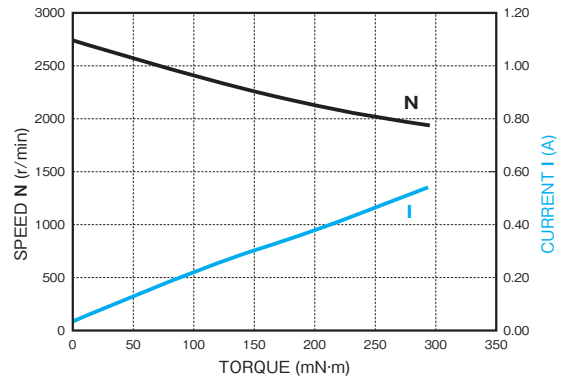
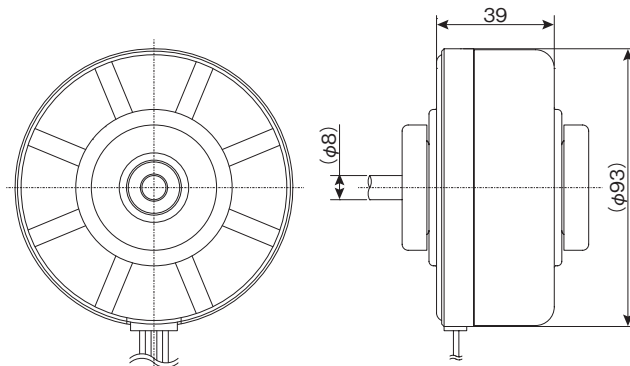
### ■ DRA-8538

RATED VOLTAGE	RATED TORQUE	RATED SPEED	RATED CURRENT
AC 100~230 V	75 mN·m	2000 r/min	0.3 A



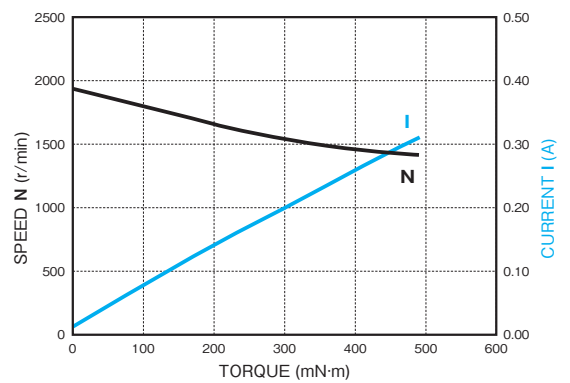
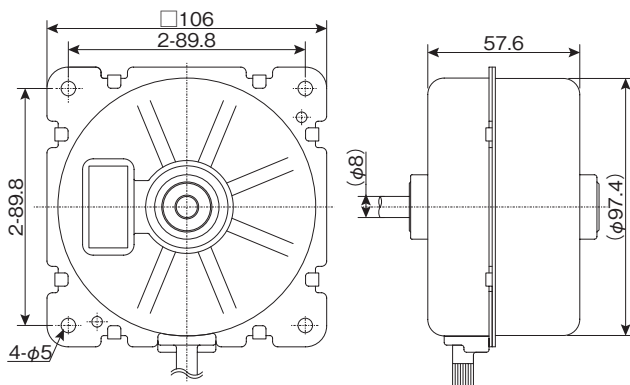
### ■ DR-8838

RATED VOLTAGE	MAX TORQUE	RATED SPEED	RATED CURRENT
DC 140(280) V	250(200) mN·m	1520(1800) r/min	0.36(0.17) A



### ■ DR-9538

RATED VOLTAGE	MAX TORQUE	RATED SPEED	RATED CURRENT
DC 280 V	400 mN·m	850 r/min	0.2 A



**i** Specifications are reference only. Feel free to contact sales office or sales agent for detailed information.

Stepping Motor

BLDC Motor

Motor Driver

Other Motor