

Inner Rotor Brushless DC Series

SDR-8538 SERIES

□ 90mm 110W

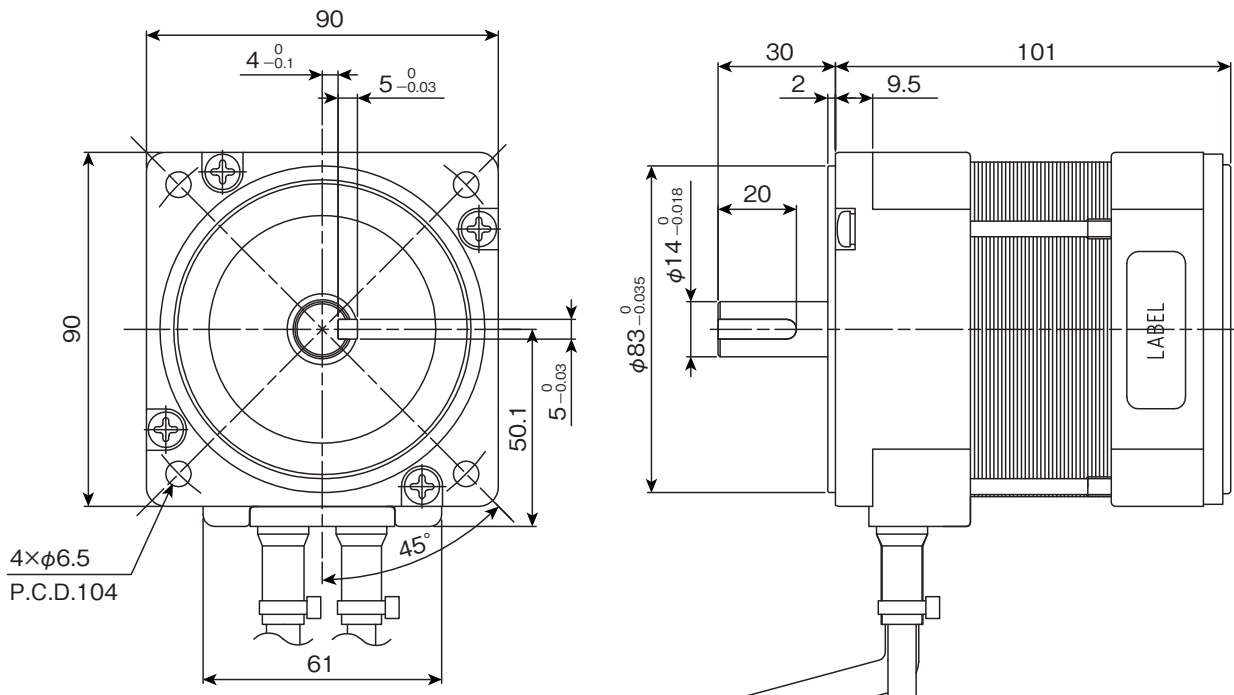


SPECIFICATIONS

Model	SDR-8538-002
Rated voltage	DC 48 V
Rated current	3.5 A
Rated torque	350 mN·m
Rated speed	3000 r/min
Rated output	110 W
Instantaneous peak torque	1050 mN·m
Permissible thrust load	10 N
Permissible radial load	98 N
Rotor inertia	2400 g·cm ²
Hall IC voltage	5 V
Signal output	OPEN COLLECTOR
Sink current	10 mA
Mass	2400 g
Operating ambient temperature	0 °C~50 °C
Operating ambient humidity	20 %~80 %

Condition : continuous duty with 250×250×t6 aluminium heat sink.

DIMENSIONS

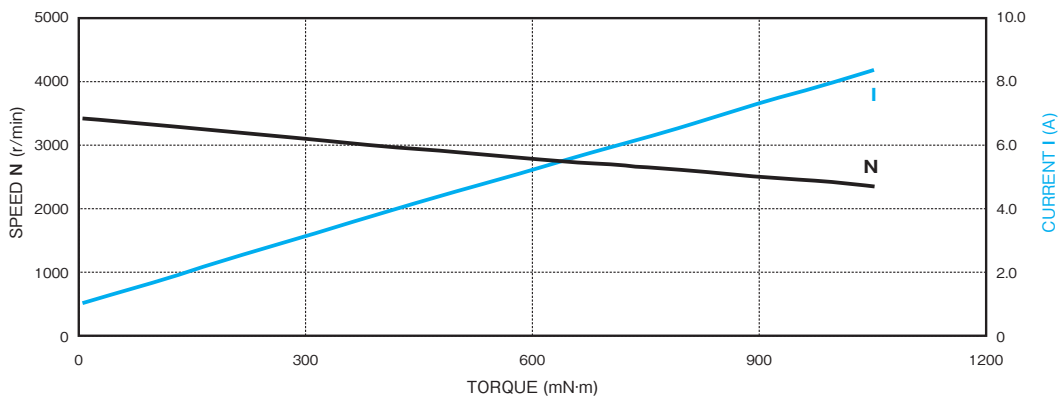


OUTPUT RANGE

SERIES	MAJOR DIAMETER	MODEL	RATED SPEED	TORQUE (mN·m)
Inner rotor	□90mm	SDR-8538-002	3000	0 50 100 200 300 400 600 800

Speed and Torque Specifications

SDR-8538-002 DC48V



Stepping Motor

BLDC Motor

Motor Driver

Other Motor



Specifications are reference only. Feel free to contact sales office or sales agent for detailed information.